

T3-70

MICROWAVE OVEN DOOR ENDURANCE TESTER

TECHNICAL SPECIFICATIONS

Line voltage	230V (110 V), 50Hz (60 Hz)
Power consumption	120 VA
Motor	Crouzet 24VDC with integrated microcontroller
Reduction gear	Transmission factor $i=31$
Rotation speed on main shaft:	120turn/min
System controller:	Siemens Logo 24 RC
Supplying voltage	24 V DC
Counter: number of digits	6 (0 - 999999)
Delay	0.1 - 10 s adjustable
Clamping head	DIA. 3 to 16 mm
Rotation angle:	angle adjustments: 20 – 180 deg
Dimensions	
Mechanical unit	
Width	1120 mm
Depth	715 mm
Height	1200 mm
Electrical unit	
Width	360 mm
Depth	300 mm
Height	310 mm
Weight	62 kg

DESIGN

Table top apparatus, two units:

CONTROL UNIT

Solid case, Non-sensitive, scratch-resistant surfaces through powder-coating, side panels, Al extrusion, RAL 7016, Frame, Al die-cast, RAL 7016, Base and cover, Al, 1.5 mm, RAL 9006, with GND/earthing connection, case feet with anti-slip protection, front plate and rear panel anodized aluminum 2,5 mm.

Internal and external dimensions in accordance with: IEC 60297-3. Type of protection IP 20 in accordance with IEC 60529, Protective GND/earthing connections in accordance with: IEC 61010, DIN EN 50178 / VDE 0160, DIN EN 60950 / VDE 0805, DIN EN 61010-1 / VDE 0411 part 1, DIN EN 61010-1A2 / VDE 0411 part 1/A1.

MECHANICAL UNIT

The framework is made of aluminum extruded profiles, Al Mg Si 0.5 F 25, Tolerances (straightness and flatness) according to DIN EN 12020 Part 2. The aluminum profiles are natural (C0) anodized and are therefore permanently resistant to scratching and corrosion. Surface with matt finish (E 6), anodized and compressed oxidation. Minimum layer thickness 10 µm, layer hardness 250 - 350 HV.

All parts of mechanism are nickel plated, anodized aluminum or made of stainless steel (AISI 304, DIN W. No. 1.4301 X5CrNi18-10) or (AISI 316, DIN W. No. 1.4401 X5CrNiMo17-12-2) http://en.wikipedia.org/wiki/Stainless_steel.

KEYWORDS

T3-70 MICROWAVE OVEN DOOR ENDURANCE TESTER, IEC 60335-2-25, Clause 18

COMPLIANCE

T3-70 MICROWAVE OVEN DOOR ENDURANCE TESTER is designed and manufactured in compliance IEC 60335-2-25, Clause 18

Electrical unit consists of motor controlling and switching elements. Complete circuit is supplied with protective voltage 24 VDC. Electrical unit and mechanical unit are connected with cable through connector on mechanical unit.

Mechanical unit is mounted on base plate that is mounted on solid sectional aluminum profiles, that enables heavy duty mounting and fastening of apparatus for microwave oven with left or right door openings.

Motor with reduction gear drives the clamping head that is mounted on main shaft.

The apparatus is designed for testing of Microwave oven with or without knob for door opening.

The equipment described here is subject to redesign without notice. The change will not impair the function of apparatus its characteristics or the price.

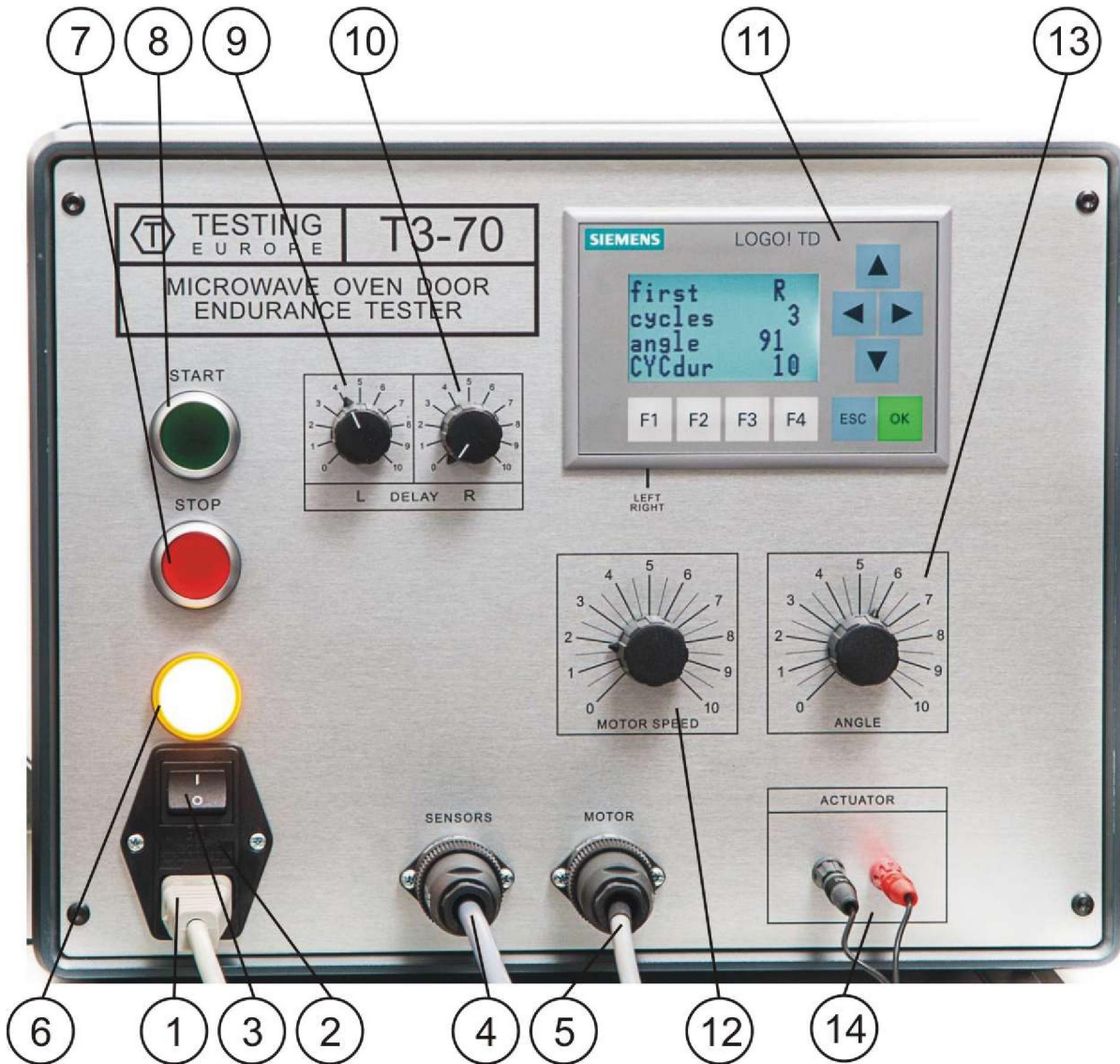


Fig. 1 – ELECTRICAL UNIT

Legend with Fig. 1

1. Mains appliance coupler
2. Mains fuse
3. Mains switch
4. Cable with connector for connecting sensor of mechanical unit
5. Cable with connector for connecting motor of mechanical unit
6. Mains indicator
7. Push button STOP
8. Push button START
9. Knob for adjustment of DELAY after turning Left
10. Knob for adjustment of DELAY after turning Right
11. SIEMENS LOGO microcontroller
12. Motor speed regulation knob
13. Angle adjustment knob
14. Terminal sockets for actuator

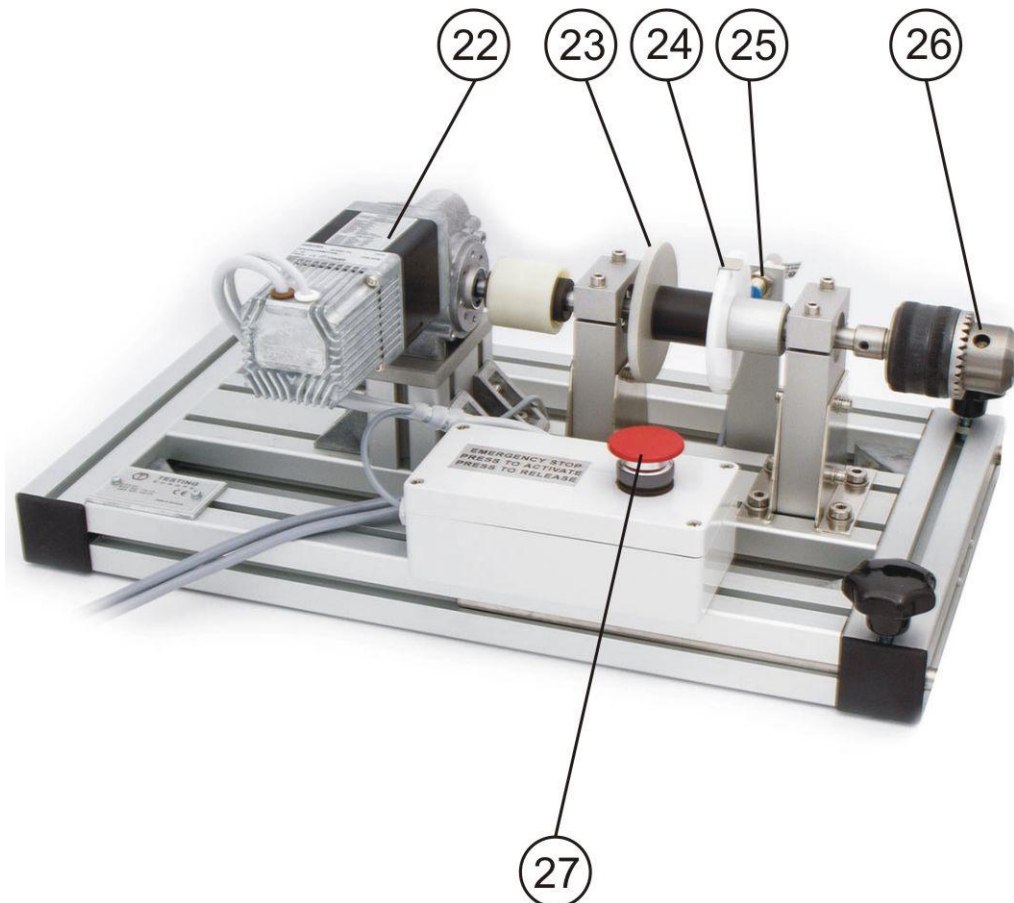


Fig.3 – MECHANICAL UNIT

Legend with Fig. 3, MECHANICAL UNIT

- 15. Motor
- 16. Nut for fixing/Releasing the shutter plate
- 17. Shutter
- 18. Inductive sensor
- 19. Clamping head
- 20. Emergency STOP push button