

**T1-03**

FUME CUPBOARD 550 I

## KEYWORDS

T1-03 FUME CUPBOARD, LABORATORY FUMEHOOD, TEST CHAMBER, IEC TEST EQUIPMENT, IEC 60695-2-10, 60695-11-5.

## COMPLIANCE

It is constructed in compliance with IEC 60695-2-10, IEC 60695-11-5,...

## INTRODUCTION

T1-03 FUME CUPBOARD (LABORATORY FUMEHOOD/TEST CHAMBER) is intended for conducting test with T4-08 GLOW WITE APPARATUS, for assessing the fire hazard of different materials and components.

Our FUME CUPBOARD are designed with the following goals:

- Safety
- Reliability
- Ease of operation
- Ergonomical design
- Ease of maintenance

The **BOLD** features below are some of advantages that were introduced to reach these goals.

## MAIN FEATURES

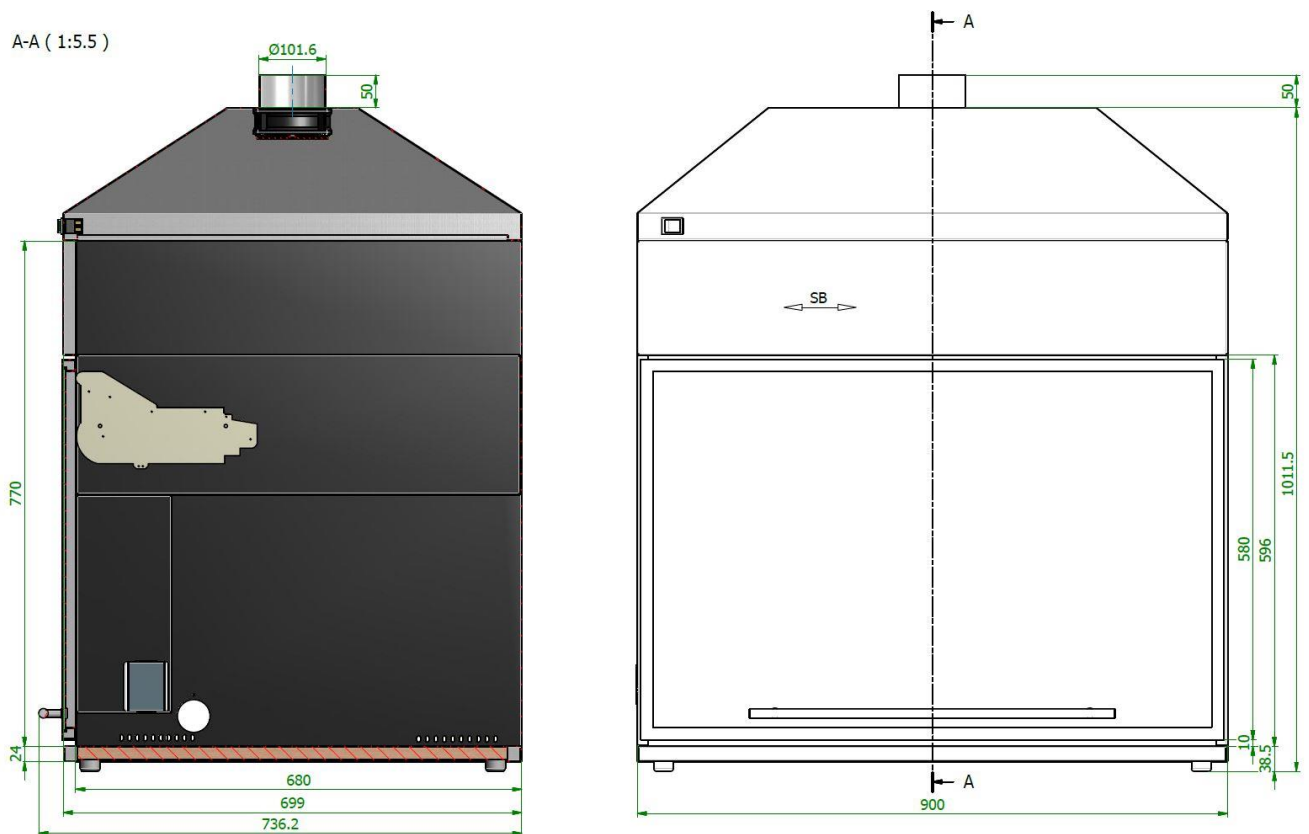
- Front sash is vertical sliding and is made of **security glass**.
- Sash is attached to **spring loaded – soft closing mechanism**, so that opening and closing is very easy.
- The chamber permits observation of tests in progress through frontal surface/window.
- On top of the chamber is located turbine with duct connection, for venting the chamber after the test is finished.
- Inside on the left wall is located port hole with sliding cover for power supply cable of glow wire apparatus.
- On the outside, is located switch for operation of extraction turbine
- **The chamber is draught free**
- It allows normal thermal circulation of air past the test specimen during burning.
- **All stainless steel interior and exterior AISI 304**
- Powder coated side and back walls, **black** non-reflective – **scratch resistant**. This minimizes light level inside and **prevents radiation** as per standards requests.
- Exhaust tube connector dia. 100 mm
- Port dia. 50 mm
- Inner volume: 0,55 m<sup>3</sup>
- Power supply: 230 V, 50 Hz (other optional)

## DESIGN

It is table top free standing device.

Solid construction, Non-sensitive, scratch-resistant surfaces through powder-coating, stainless steel sheets, feet with anti-slip protection,

Material: Stainless steel AISI 304.



## OTHER CONDITIONS

Warranty: 2 years, Warranty covers spare parts and labor

Support by E-mail: [support@testing.si](mailto:support@testing.si)

On line Skype VIDEO Support: Testing\_support, matejsimonic

We will be glad to help you solve your problems and to hear any feedback from you.

The equipment described here is subject to redesign without notice. The change will not impair the function of apparatus its characteristics or the price.